

ACA 305 Camera Specifications (720P\1080P)




Applicable Model: MD833H\MD600\MD300

Change History

File Name	ACA 305 Camera Specifications		
Project	MD833H\MD600\MD300	Creation Date	2024/3/5
Subproject	Accessory Specifications	Total Pages	5
Version	V1.1	Confidential	External Documentation

Copyright and Disclaimer

Copyright © Meitrack Group 2025. All rights reserved.

MEITRACK and  are trademarks that belong to Meitrack Group and its subsidiary.

The user manual may be changed without notice.

Without prior written consent of Meitrack Group, this user manual, or any part thereof, may not be reproduced for any purpose whatsoever, or transmitted in any form, either electronically or mechanically, including photocopying and recording.

Meitrack Group shall not be liable for direct, indirect, special, incidental, or consequential damages (including but not limited to economic losses, personal injuries, and loss of assets and property) caused by the use, inability, or illegality to use the product or documentation.

Documentation Update Records

Version	Date	Modified
1.0	2024-03-05	Initial draft.
1.1	2025-09-18	Add the optional 1080P resolution

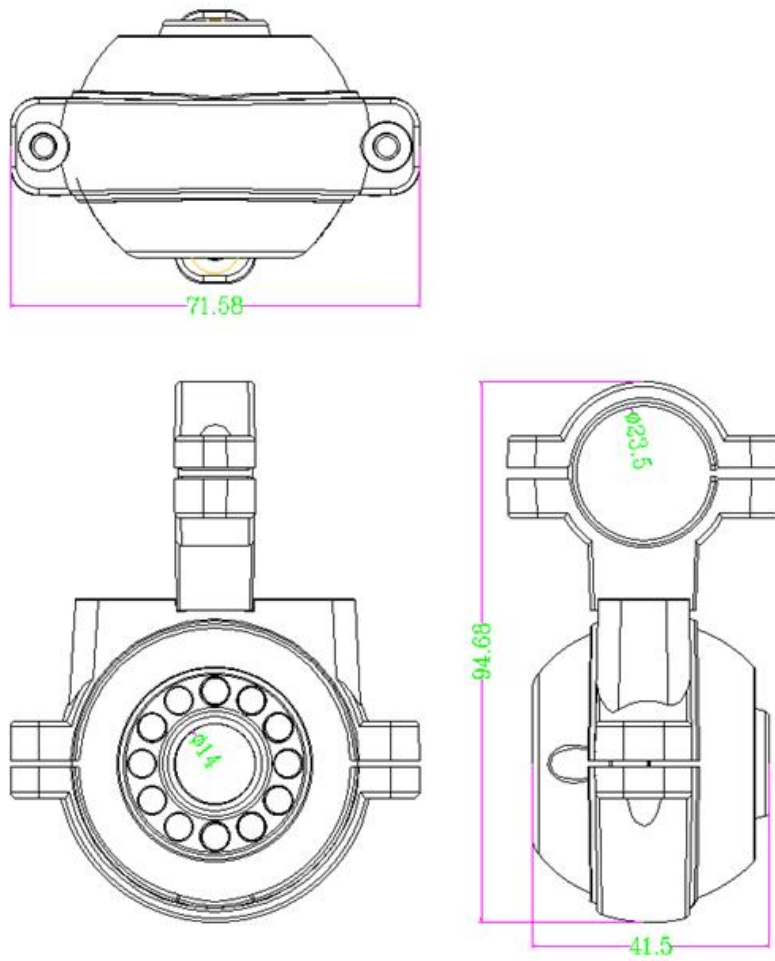
Contents

1 Product Specifications	- 4 -
2 Enclosure Structure Diagram	- 5 -
3 Install	- 5 -
4 Standard Configuration	- 6 -

1 Product Specifications

Item	Specifications	
Model	ACA305 (720P)	ACA305 (1080P)
Mod type	ISPFH8535+1/4 H63	ISP FH8536H+1/2.9GC2053
Resolution	AHD 720P	AHD 1080P
Formality	PAL	PAL
Total pixels	PAL:1280(H)x720(V)	PAL:1920(H)x1080P(V)
Minimum illumination	0.1LUX	0.1LUX
Electronic shutter	PAL: 1/50~1/100,000s	PAL: 1/50~1/100,000s
Signal-to-noise Ratio (SNR or S/N)	>52dB	>52dB
White balance	Auto white balance	Auto white balance
Image orientation	Positive	Positive
IR-Cut	Color/black and white, IRCUT switch	Color/black and white, IRCUT switch
Pigtail length	500MM±10%	500MM±10%
Waterproof rating	IP67	IP67
Audio	Without audio	Without audio
Infrared light	11 pcs 850 infrared lights	11 pcs 850 infrared lights
Video output	1.0Vp-p composite output, 75Ω	1.0Vp-p composite output, 75Ω
Lens	Full glass, full metal lens 2.8MM	Full glass, full metal lens 2.8MM
Angle	Horizontal 90°	Horizontal 90°
Port	M12 four-core aviation head interface	M12 four-core aviation head interface
Power	DC 12V±10%	DC 12V±10%
Operating current	Without infrared ≤50MA, with infrared ≤250MA	Without infrared ≤50MA, with infrared ≤250MA
Operating temperature	-20°C~+70°C	-20°C~+70°C
Operating humidity	Relative humidity below 90%	Relative humidity below 90%
Package	Rubber sleeve, certificate of conformity	Rubber sleeve, certificate of conformity

2 Enclosure Structure Diagram



3 Install



4 Standard Configuration

Order	Name	Quantity	Unit	Remarks
1	In-car camera	1	Pcs	Standard
2	Install screw kit	2	Pcs	Standard

If you have any questions, do not hesitate to email us at info@meitrack.com.